

# PEJB Series DC Junction Box

**PROJOY**  
electric  
- Switch To Safety! -

**PROJOY**  
electric  
- Switch To Safety! -



## High Craftsmanship AND High Standards



Small  
volume



Flame  
retardant  
material



Accurate



Visual



Full-Featured



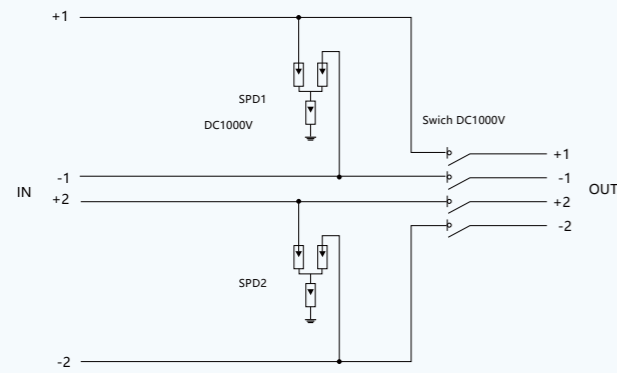
Remote Communication  
Support

## Technical data

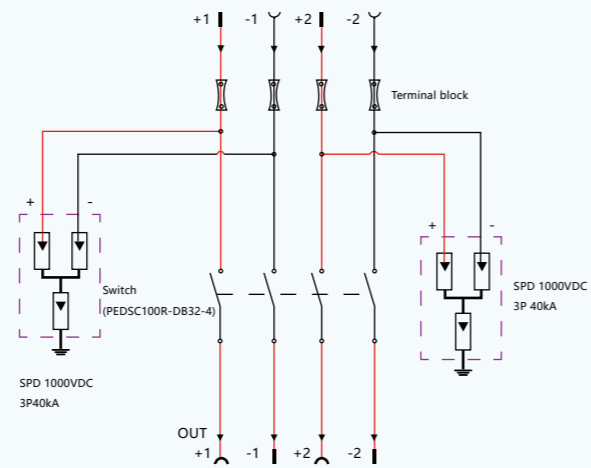
General Data					
Model	PEJB-2-1	PEJB-2-2	PEJB-3-3	PEJB-4-4	PEJB-6-6
Input	2 String	2 String	3 String	4 String	6 String
Output	1 String	2 String	3 String	4 String	6 String
Max. Voltage	1040 V				
Max. Output Current	32A				
Enclosure					
Material Type	PC+ABS				
Ingress Protection Rating	IP65				
Impact Protection Rating	IK10				
Poles	12P	18P	36P	24P	36P
DC Input Cable Specification	4 mm <sup>2</sup>				
DC Output Cable Specification	4 mm <sup>2</sup>				
DC Surge Arrester					
Max. Operation Voltage	1040 V				
Max. Discharge Current	40 kA				
Poles	3P				
Certification	CE,TUV				
DC Disconnecter					
Nominal Insulation Voltage	1040 V				
Nominal Current	32A				
Category	DC-PV1/DC-PV2				
Standard	IEC/EN 60947-3				
Certification	CE,TUV,SAA,CB				
Operating Temperature	-20 °C to +60 °C				
Humidity	99%				
Altitude	2000m ( Derating over 2000m )				
Installation	Wall Mounting				

## Dimensions

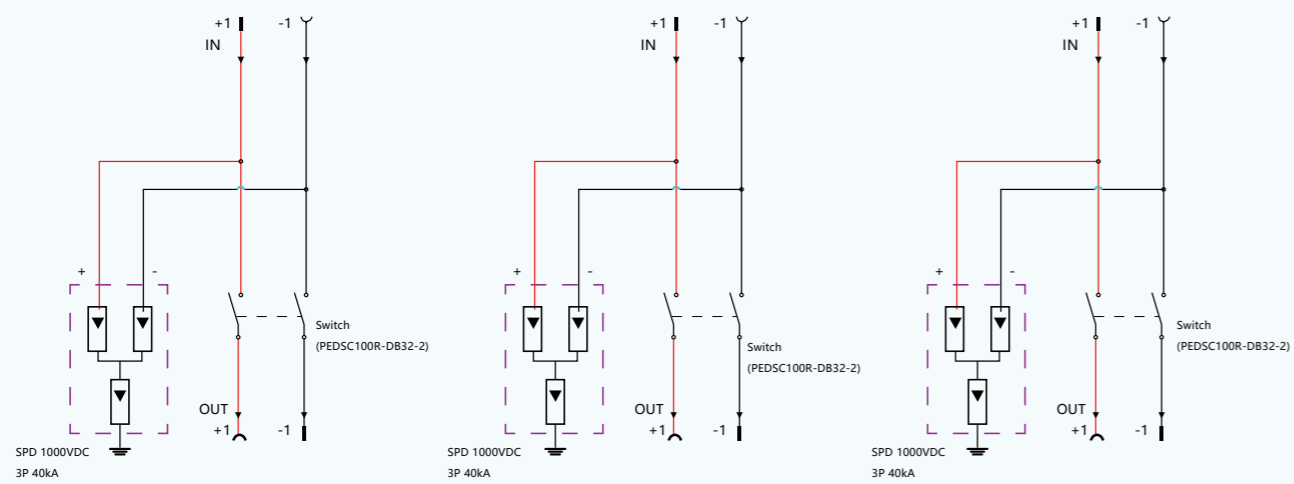
PEJB-2-1



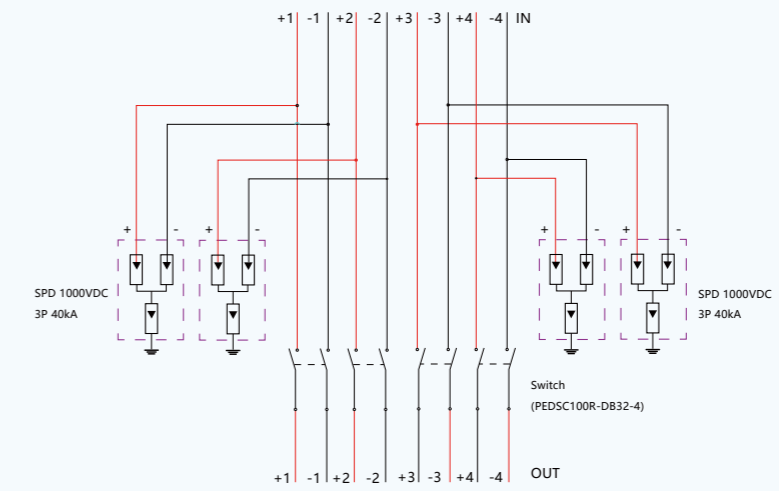
PEJB-2-2



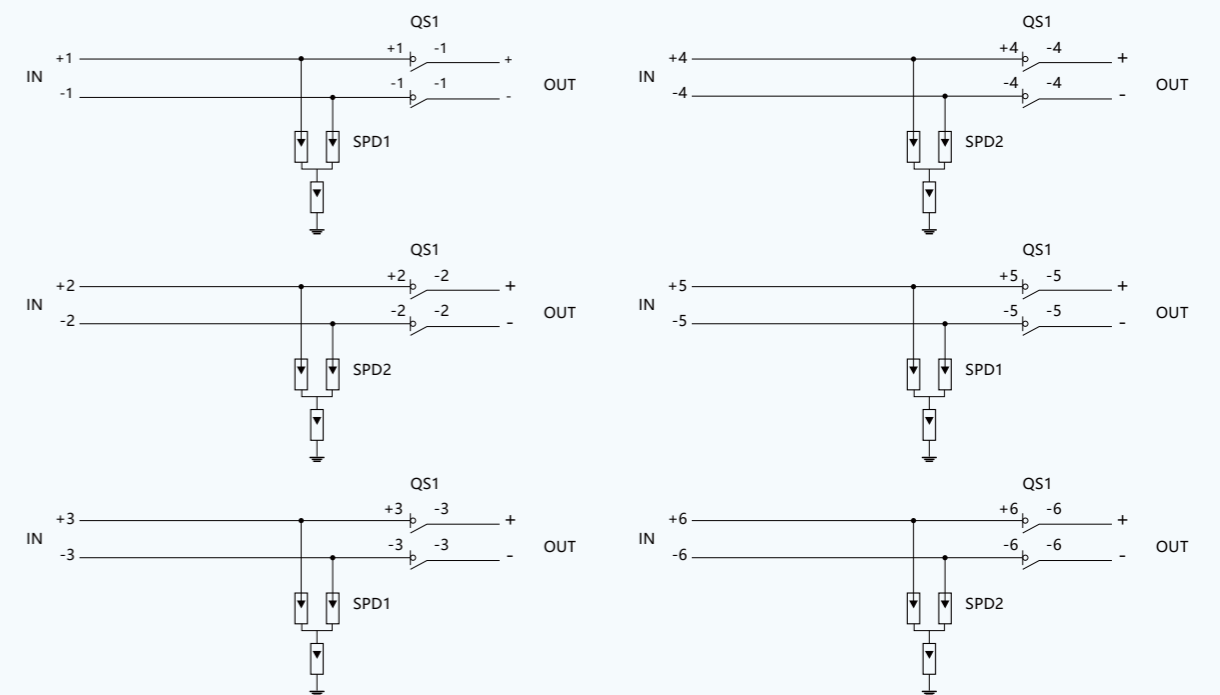
PEJB-3-3



PEJB-4-4



PEJB-6-6



## Dimensions

